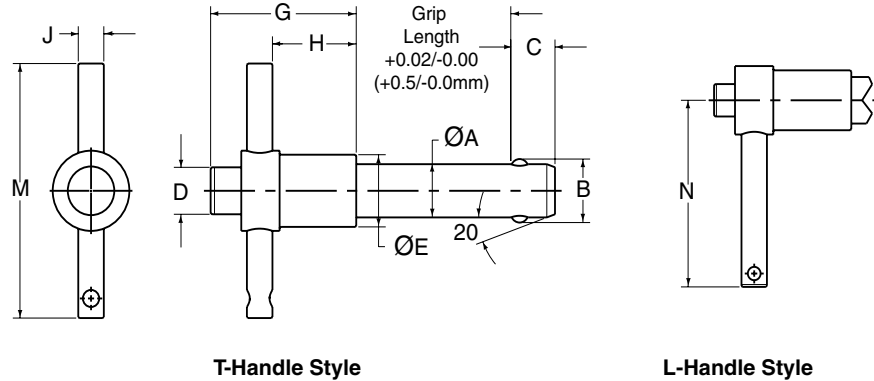




Heavy Duty T&L Handle Pins



T-Handle Style

L-Handle Style

- Also known as Ground Handling Pins
- Heavy Duty welded handle provides additional impact resistance
- Includes split ring for easy attachment of optional lanyard.
- All stainless steel handle and button provide additional corrosion resistance

Heavy Duty T&L Handle Specifications – Inch

Nom Pin Dia	Pin Dia A		±0.005 B	+0.00/-0.04 C	D	E	G	H	J	M	N
	Min	Max									
3/16 (#10)	.1870	.1885	.220	.260	1/4	7/16	1 1/4	13/16	3/16	1 15/16	1 3/4
1/4	.2470	.2485	.289	.290	1/4	7/16	1 1/4	13/16	3/16	1 15/16	1 3/4
5/16	.3095	.3110	.375	.330	1/4	7/16	1 1/4	13/16	3/16	1 15/16	1 3/4
3/8	.3720	.3735	.440	.365	5/16	9/16	1 11/32	13/16	1/4	1 15/16	1 3/4
7/16	.4345	.4360	.509	.380	5/16	9/16	1 11/32	13/16	1/4	2 1/8	1 3/4
1/2	.4970	.4985	.594	.460	7/16	11/16	1 7/16	13/16	1/4	2 3/8	1 31/32
9/16	.5595	.5610	.666	.510	7/16	11/16	1 7/16	13/16	1/4	2 3/8	1 31/32
5/8	.6220	.6235	.750	.580	1/2	15/16	1 11/16	31/32	5/16	2 7/8	2 15/32
3/4	.7470	.7485	.887	.670	37/64	15/16	1 23/32	31/32	5/16	2 7/8	2 15/32
7/8	.8720	.8735	1.046	.760	3/4	1 3/16	2 5/32	1 1/4	3/8	3 1/4	2 13/16
1	.9970	.9985	1.219	.890	3/4	1 3/16	2 5/32	1 1/4	3/8	3 1/4	2 13/16

Heavy Duty T&L Handle Specifications – Metric

Nom Pin Dia	Pin Dia A		± 0.25 B	+0.0/- 1.0 C	D	E	G	H	J	M	N
	Min	Max									
5	4.92	4.96	5.54	6	6.5	10.8	31.7	20.4	4.76	49.5	44.5
6	5.92	5.96	6.99	7	6.5	10.8	31.7	20.4	4.76	49.5	44.5
8	7.92	7.96	9.40	8	6.5	10.8	31.7	20.4	4.76	49.5	44.5
10	9.92	9.96	11.86	9	7.7	14.2	34.1	21.0	6.35	49.5	44.5
12	11.92	11.96	14.45	10	7.7	14.2	34.2	21.0	6.35	54.1	50.0
16	15.92	15.96	19.00	14	12.4	23.9	42.6	24.6	7.94	73.2	62.7
20	19.92	19.96	24.08	17	12.4	23.9	42.6	24.9	7.94	73.2	62.7
25	24.92	24.96	30.94	22	19.2	30.0	53.4	30.2	9.53	82.3	71.0

Dimensions in millimeters

- Body is made from high Strength Stainless Steel, 17-4 PH heat treated.
- Meets or exceeds NASM 23460 specifications
- May be ordered with 4 locking balls for additional locking element tensile strength



Heavy Duty T-Handle – Inch

Pin Dia	Grip Length (inches)												
	0.5	0.75	1	1.25	1.5	1.75	2	2.5	3	4	5	6	
P A R T	3/16	802600	802601	802602	802603	802604	802605	802606	802608	802609	802611	802613	802615
	1/4	802616	802617	802618	802619	802620	802621	802622	802624	802625	802627	802629	802631
	5/16	802632	802633	802634	802635	802636	802637	802638	802640	802641	802643	802645	802647
	3/8	802648	802649	802650	802651	802652	802653	802654	802656	802657	802659	802661	802663
	7/16	802664	802665	802666	802667	802668	802669	802670	802672	802673	802675	802677	802679
	1/2	802680	802681	802682	802683	802684	802685	802686	802688	802689	802691	802693	802695
	9/16	802696	802697	802698	802699	802700	802701	802702	802704	802705	802707	802709	802711
	5/8	802712	802713	802714	802715	802716	802717	802718	802720	802721	802723	802725	802727
	3/4	802728	802729	802730	802731	802732	802733	802734	802736	802737	802739	802741	802743
	7/8	802744	802745	802746	802747	802748	802749	802750	802752	802753	802755	802757	802759
1	802760	802761	802762	802763	802764	802765	802766	802768	802769	802771	802773	802775	

Heavy Duty L-Handle – Inch

N U M B E R S	3/16	805600	805601	805602	805603	805604	805605	805606	805608	805609	805611	805613	805615
	1/4	805616	805617	805618	805619	805620	805621	805622	805624	805625	805627	805629	805631
	5/16	805632	805633	805634	805635	805636	805637	805638	805640	805641	805643	805645	805647
	3/8	805648	805649	805650	805651	805652	805653	805654	805656	805657	805659	805661	805663
	7/16	805664	805665	805666	805667	805668	805669	805670	805672	805673	805675	805677	805679
	1/2	805680	805681	805682	805683	805684	805685	805686	805688	805689	805691	805693	805695
	9/16	805696	805697	805698	805699	805700	805701	805702	805704	805705	805707	805709	805711
	5/8	805712	805713	805714	805715	805716	805717	805718	805720	805721	805723	805725	805727
	3/4	805728	805729	805730	805731	805732	805733	805734	805736	805737	805739	805741	805743
	7/8	805744	805745	805746	805747	805748	805749	805750	805752	805753	805755	805757	805759
1	805760	805761	805762	805763	805764	805765	805766	805768	805769	805771	805773	805775	

Contact customer service for other sizes. Includes attachment ring.

Heavy Duty T-Handle – Metric

Pin Dia	Grip Length (mm)												
	10	15	20	25	30	40	50	60	70	80	90	100	
P A R T	5	852600	852601	852602	852603	852604	852605	852606	852607	852608	852609	852610	852611
	6	852612	852613	852614	852615	852616	852617	852618	852619	852620	852621	852622	852623
	8	852624	852625	852626	852627	852628	852629	852630	852631	852632	852633	852634	852635
	10	852636	852637	852638	852639	852640	852641	852642	852643	852644	852645	852646	852647
	12	852648	852649	852650	852651	852652	852653	852654	852655	852656	852657	852658	852659
	16	852660	852661	852662	852663	852664	852665	852666	852667	852668	852669	852670	852671
	20	852672	852673	852674	852675	852676	852677	852678	852679	852680	852681	852682	852683
	25	852684	852685	852686	852687	852688	852689	852690	852691	852692	852693	852694	852695

Heavy Duty L-Handle – Metric

N U M B E R S	5	854200	854201	854202	854203	854204	854205	854206	854207	854208	854209	854210	854211
	6	854212	854213	854214	854215	854216	854217	854218	854219	854220	854221	854222	854223
	8	854224	854225	854226	854227	854228	854229	854230	854231	854232	854233	854234	854235
	10	854236	854237	854238	854239	854240	854241	854242	854243	854244	854245	854246	854247
	12	854248	854249	854250	854251	854252	854253	854254	854255	854256	854257	854258	854259
	16	854260	854261	854262	854263	854264	854265	854266	854267	854268	854269	854270	854271
	20	854272	854273	854274	854275	854276	854277	854278	854279	854280	854281	854282	854283
	25	854284	854285	854286	854287	854288	854289	854290	854291	854292	854293	854294	854295

Contact customer service for other metric sizes. Includes attachment ring.

KWIK-LOK® PINS



Kwik-Lok® Pin Specifications

Kwik-Lok® Pin Specifications – Inch

Pin Dia (in)	Double Shear Resistance Minimum (lbs)*		Locking Element Tensile Strength Min (lbs)†	Recommended Hole Diameter (in)	
	Stainless Steel 17-4 PH Heat Treated	Alloy Steel Heat Treated Cadmium Plated		Max	Min
3/16 (#10)	5,150	4,600	200	0.1940	0.1900
1/4	9,200	8,200	230	0.2540	0.2500
5/16	14,400	12,800	510	0.3165	0.3125
3/8	20,700	18,400	575	0.3790	0.3750
7/16	28,500	25,000	710	0.4425	0.4375
1/2	36,900	32,800	1,160	0.5050	0.5000
9/16	46,700	41,600	1,420	0.5675	0.5625
5/8	57,800	51,400	2,070	0.6300	0.6250
3/4	83,200	74,600	2,950	0.7570	0.7500
7/8	112,500	100,000	3,900	0.8820	0.8750
1	147,200	131,000	5,480	1.0100	1.0000

Kwik-Lok® Pin Specifications – Metric

Pin Dia (mm)	Double Shear Resistance Minimum (kN)*		Locking Element Tensile Strength Min (N)†	Recommended Hole Diameter (mm)	
	Stainless Steel 17-4 PH Heat Treated	Alloy Steel Heat Treated Cadmium Plated		Max	Min
5	24	21	890	5.1	5
6	35	31	890	6.1	6
8	65	58	2,250	8.1	8
10	100	88	2,280	10.1	10
12	144	128	3,150	12.1	12
16	257	229	9,200	16.1	16
20	403	358	13,100	20.15	20
25	631	561	23,400	25.15	25

* Double shear values are the minimum requirements according to NAS functionality tests.

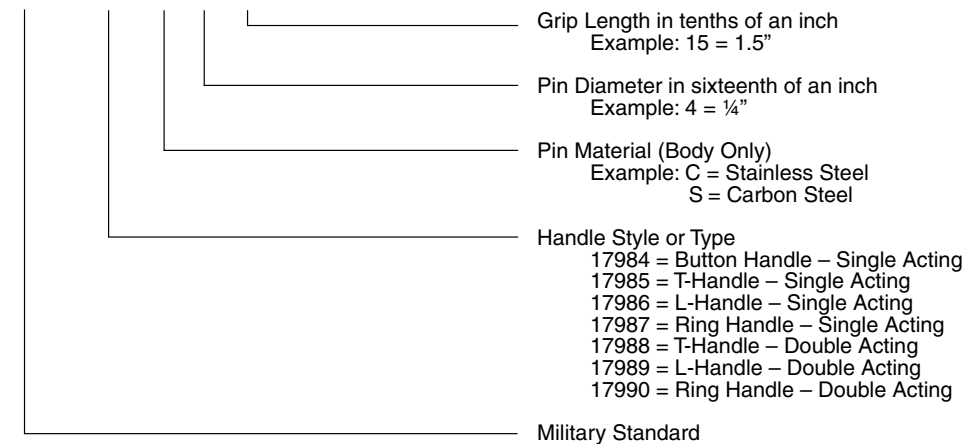
† Locking element tensile strength values are the minimum requirements of NAS functionality tests. Pins may be special ordered with 4 locking balls for additional locking element tensile strength.

Military Specifications (MS) & National Aerospace Standards (NASM)

NAS Number 1333-1346 and 1353-1366 are available.

MS Numbers 17984-90 now refer to NASM 17984-90.

MS 17984 C 4 15



KWIK-LOK® PINS

INFORMATION

Engineering and Product Changes

Product improvement is a continuing process.
Specifications and engineering data are subject to change without notice.
If current information is critical to your design, it is suggested that you contact our customer support department to verify any dimensions or specifications.

Specials

It is often possible to modify any item that is similar to a standard component part.