

Primary Fasteners

Tab lock Quick Release Pins

Stainless Steel Pins with a simple axial lock are used for quick alignment or fixing, connecting and locking of various fixture systems. A typical application is location pins which have to be often removed and re-placed again.

The two locking pawls can be retracted by pressing the button and on releasing it the pawls will be protracted.

The rectangular shape of the locking pawls in stainless steel creates a linear contact area.

Specifications

Body
Stainless Steel
(303 / 1.4305)

Pawl
Stainless Steel
(304/1.4301)

Spring
Stainless Steel
(301/1.4310)

Handle
Plastic Technopolymer
(Polyamid PA)
black-grey

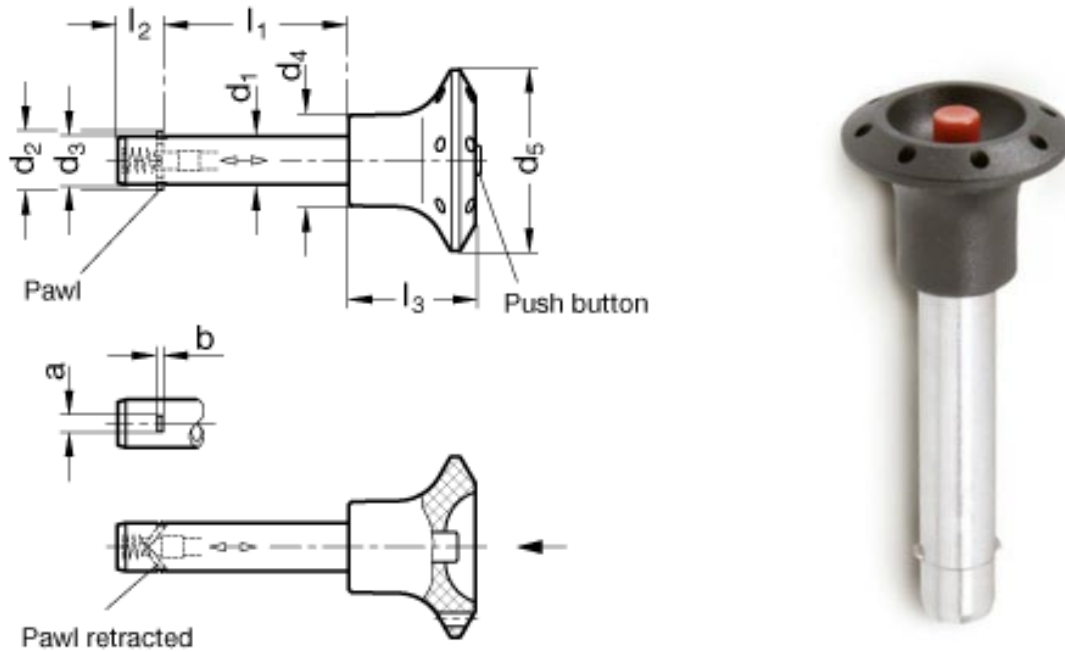
Push button
Plastic Technopolymer
(Polyamid PA) red



Tel 0121 247 5191 : Fax 0121 535 7094 : email pinsales@prifast.co.uk

Primary Fasteners

Size Data



d1 - 0.04	a	b	d2	d3	d4	d5	l2	l3
8 mm	2.8	0.6	10.4	7.9	15	30	8.4	21
10mm	3.3	1.0	12.8	9.9	18	34	9.8	26
12mm	3.8	1.0	14.8	11.9	18	34	11.3	26

Diameter d1 -0.04	Grip length l1 +0.4							
	16	20	25	30	35	40	45	50
8mm	16	20	25	30	35	40	45	50
10mm	20	25	30	35	40	45	50	60
12mm	25	30	35	40	50	60	70	80

Tel 0121 247 5191 : Fax 0121 535 7094 : email pinsales@prifast.co.uk