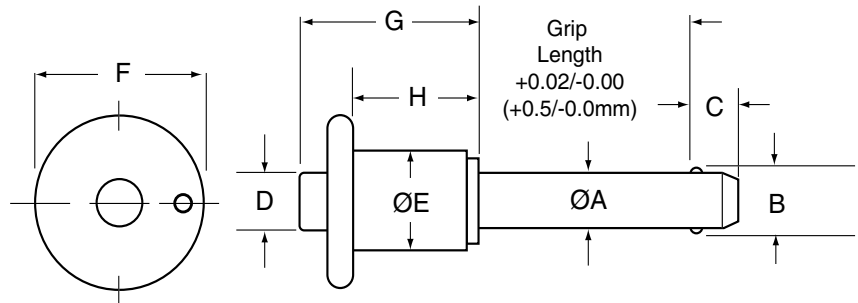


# Button Handle Kwik-Lok Pin MS17984



Nom Pin Dia	ØA		+/-0.005 B	+0.00/-0.04 C	D	E	F	G	H
	Min	Max							
3/16 (#10)	.1870	.1885	.220	.260	1/4	7/16	13/16	13/16	5/8
1/4	.2470	.2485	.289	.290	1/4	7/16	13/16	7/8	5/8
5/16	.3095	.3110	.375	.330	1/4	7/16	7/8	29/32	5/8
3/8	.3720	.3735	.440	.365	5/16	9/16	1 1/8	1 1/32	3/4
7/16	.4345	.4360	.509	.380	5/16	9/16	1 1/8	1 3/32	3/4
1/2	.4970	.4985	.594	.460	7/16	23/32	1 3/8	1 3/16	13/16
9/16	.5595	.5610	.666	.510	7/16	23/32	1 3/8	1 3/8	1
5/8	.6220	.6235	.750	.580	37/64	27/32	1 5/8	1 1/2	1 1/16
3/4	.7470	.7485	.887	.670	37/64	15/16	1 7/8	1 21/32	1 5/32
7/8	.8720	.8735	1.046	.760	3/4	1 1/8	2 3/16	1 31/32	1 1/2
1	.9970	.9985	1.219	.890	3/4	1 3/16	2 3/16	2 1/8	1 1/2

- The Button Handle Kwik-Lok Pin is ideal for applications that have limited space around the handle.
- Light weight black anodized aluminum handle with blue anodized aluminum button.
- Pin body available in:  
Heat Treated 17-4 PH Stainless Steel  
or Heat Treated Alloy Steel, Cadmium plated.
- Includes hole and split ring for easy attachment of optional lanyard.

## Button Handle Specifications - Metric

Nom Pin Dia	ØA		+/-0.25 B	+0.0/-1.0 C	D	E	F	G	H
	Min	Max							
5	4.92	4.96	5.54	6	6.4	11.1	20.6	20.6	15.9
6	5.92	5.96	6.99	7	6.4	11.1	20.6	22.2	15.9
8	7.92	7.96	9.42	8	6.4	11.1	22.2	23.0	15.9
10	9.92	9.96	11.86	9	7.9	14.3	28.6	27.8	19.1
12	11.92	11.96	14.45	10	11.1	18.3	34.9	34.9	25.4
16	15.92	15.96	19.00	14	14.7	21.4	41.3	38.1	27.0
20	19.92	19.96	24.08	17	14.7	23.8	47.6	42.1	29.4
25	24.92	24.96	30.94	22	19.1	30.2	55.6	54.0	38.1

Dimensions in millimeters

All data is subject to change without notice, please contact our technical department to confirm data

# KWIK-LOK™ PINS

## Button Handle - Inch

	Pin Dia	Grip Length (inches)											
		0.5	0.75	1	1.25	1.5	1.75	2	2.5	3	4	5	6
PARTS	<b>Stainless Steel - High Strength Stainless Steel, 17-4 PH heat treated</b>												
	3/16	800600	800601	800602	800603	800604	800605	800606	800608	800609	800611	800613	800615
	1/4	800616	800617	800618	800619	800620	800621	800622	800624	800625	800627	800629	800631
	5/16	800632	800633	800634	800635	800636	800637	800638	800640	800641	800643	800645	800647
	3/8	800648	800649	800650	800651	800652	800653	800654	800656	800657	800659	800661	800663
	7/16	800664	800665	800666	800667	800668	800669	800670	800672	800673	800675	800677	800679
	1/2	800680	800681	800682	800683	800684	800685	800686	800688	800689	800691	800693	800695
	9/16	800696	800697	800698	800699	800700	800701	800702	800704	800705	800707	800709	800711
	5/8	800712	800713	800714	800715	800716	800717	800718	800720	800721	800723	800725	800727
	3/4	800728	800729	800730	800731	800732	800733	800734	800736	800737	800739	800741	800743
	7/8	800744	800745	800746	800747	800748	800749	800750	800752	800753	800755	800757	800759
	1	800760	800761	800762	800763	800764	800765	800766	800768	800769	800771	800773	800775
	<b>Alloy Steel - High Strength Alloy Steel, 4130 heat treated and cadmium plated, yellow trivalent chromium passivation</b>												
	3/16	800400	800401	800402	800403	800404	800405	800406	800408	800409	—	—	—
	1/4	800416	800417	800418	800419	800420	800421	800422	800424	800425	800427	800429	800431
	5/16	800432	800433	800434	800435	800436	800437	800438	800440	800441	800443	800445	800447
	3/8	800448	800449	800450	800451	800452	800453	800454	800456	800457	800459	800461	800463
	7/16	800464	800465	800466	800467	800468	800469	800470	800472	800473	800475	800477	800479
	1/2	800480	800481	800482	800483	800484	800485	800486	800488	800489	800491	800493	800495
9/16	800496	800497	800498	800499	800500	800501	800502	800504	800505	800507	800509	800511	
5/8	800512	800513	800514	800515	800516	800517	800518	800520	800521	800523	800525	800527	
3/4	800528	800529	800530	800531	800532	800533	800534	800536	800537	800539	800541	800543	
7/8	800544	800545	800546	800547	800548	800549	800550	800552	800553	800555	800557	800559	
1	800560	800561	800562	800563	800564	800565	800566	800568	800569	800571	800573	800575	

Contact customer service for other sizes. Includes attachment ring.

## Button Handle - Metric

	Pin Dia	Grip Length (mm)											
		10	15	20	25	30	40	50	60	70	80	90	100
PARTS	<b>Stainless Steel - High Strength Stainless Steel, 17-4 PH heat treated</b>												
	5	850600	850601	850602	850603	850604	850605	850606	850607	850608	850609	850610	850611
	6	850612	850613	850614	850615	850616	850617	850618	850619	850620	850621	850622	850623
	8	850624	850625	850626	850627	850628	850629	850630	850631	850632	850633	850634	850635
	10	850636	850637	850638	850639	850640	850641	850642	850643	850644	850645	850646	850647
	12	850648	850649	850650	850651	850652	850653	850654	850655	850656	850657	850658	850659
	16	850660	850661	850662	850663	850664	850665	850666	850667	850668	850669	850670	850671
	20	850672	850673	850674	850675	850676	850677	850678	850679	850680	850681	850682	850683
	25	850684	850685	850686	850687	850688	850689	850690	850691	850692	850693	850694	850695
	<b>Alloy Steel - High Strength Alloy Steel, 4130 heat treated and cadmium plated, yellow trivalent chromium passivation</b>												
	5	850400	850401	850402	850403	850404	850405	850406	850407	850408	850409	850410	850411
	6	850412	850413	850414	850415	850416	850417	850418	850419	850420	850421	850422	850423
	8	850424	850425	850426	850427	850428	850429	850430	850431	850432	850433	850434	850435
10	850436	850437	850438	850439	850440	850441	850442	850443	850444	850445	850446	850447	
12	850448	850449	850450	850451	850452	850453	850454	850455	850456	850457	850458	850459	
16	850460	850461	850462	850463	850464	850465	850466	850467	850468	850469	850470	850471	
20	850472	850473	850474	850475	850476	850477	850478	850479	850480	850481	850482	850483	
25	850484	850485	850486	850487	850488	850489	850490	850491	850492	850493	850494	850495	

Contact customer service for other metric sizes. Includes attachment ring.