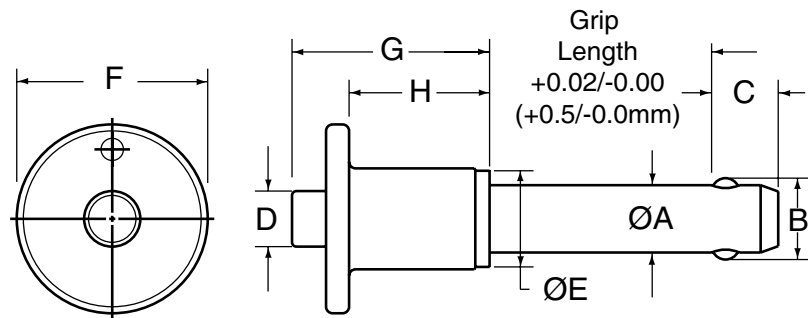


# Heavy Duty Button Handle Pin

KWIK-LOK™ PINS



Heavy Duty Button Handle

## Heavy Duty Button Handle Specifications - Inch

| Nom Pin Dia | Pin Dia A |       | +/-0.005 B | +0.00/-0.04 C | D     | E      | F      | G       | H      |
|-------------|-----------|-------|------------|---------------|-------|--------|--------|---------|--------|
|             | Min       | Max   |            |               |       |        |        |         |        |
| 3/16 (#10)  | .1870     | .1885 | .220       | .260          | 1/4   | 7/16   | 13/16  | 13/16   | 5/8    |
| 1/4         | .2470     | .2485 | .289       | .290          | 1/4   | 7/16   | 13/16  | 13/16   | 5/8    |
| 5/16        | .3095     | .3110 | .375       | .330          | 1/4   | 7/16   | 7/8    | 29/32   | 5/8    |
| 3/8         | .3720     | .3735 | .440       | .365          | 5/16  | 9/16   | 1 1/8  | 1 1/32  | 3/4    |
| 7/16        | .4345     | .4360 | .509       | .380          | 5/16  | 9/16   | 1 1/8  | 1 3/32  | 3/4    |
| 1/2         | .4970     | .4985 | .594       | .460          | 7/16  | 23/32  | 1 3/8  | 1 3/16  | 13/16  |
| 9/16        | .5595     | .5610 | .666       | .510          | 7/16  | 23/32  | 1 3/8  | 1 3/8   | 1      |
| 5/8         | .6220     | .6235 | .750       | .580          | 37/64 | 27/32  | 1 5/8  | 1 1/2   | 1 1/16 |
| 3/4         | .7470     | .7485 | .887       | .670          | 37/64 | 15/16  | 1 7/8  | 1 21/32 | 1 5/32 |
| 7/8         | .8720     | .8735 | 1.046      | .760          | 3/4   | 1 1/8  | 2 3/16 | 1 31/32 | 1 1/2  |
| 1           | .9970     | .9985 | 1.219      | .890          | 3/4   | 1 3/16 | 2 3/16 | 2 1/8   | 1 1/2  |

- Heavy Duty solid handle in 303 series stainless steel provides additional impact resistance
- Includes hole and split ring for easy attachment of optional lanyard.
- All stainless steel construction provides additional corrosion resistance
- Body is made from high Strength Stainless Steel, 17-4 PH heat treated
- Meets or exceeds NASM 23460 specifications
- May be ordered with 4 locking balls for additional locking element tensile strength

## Heavy Duty Button Handle Specifications - Metric

| Nom Pin Dia | Pin Dia A |       | +/- 0.25 B | +0.0/- 1.0 C | D    | E    | F    | G    | H    |
|-------------|-----------|-------|------------|--------------|------|------|------|------|------|
|             | Min       | Max   |            |              |      |      |      |      |      |
| 5           | 4.92      | 4.96  | 5.54       | 6            | 6.4  | 11.1 | 20.6 | 20.6 | 15.9 |
| 6           | 5.92      | 5.96  | 6.99       | 7            | 6.4  | 11.1 | 20.6 | 20.6 | 15.9 |
| 8           | 7.92      | 7.96  | 9.42       | 8            | 6.4  | 11.1 | 22.2 | 23.0 | 15.9 |
| 10          | 9.92      | 9.96  | 11.86      | 9            | 7.9  | 14.3 | 28.6 | 27.8 | 19.1 |
| 12          | 11.92     | 11.96 | 14.45      | 10           | 11.1 | 18.3 | 34.9 | 34.9 | 25.4 |
| 16          | 15.92     | 15.96 | 19.00      | 14           | 14.7 | 21.4 | 41.3 | 38.1 | 27.0 |
| 20          | 19.92     | 19.96 | 24.08      | 17           | 14.7 | 23.8 | 47.6 | 42.1 | 29.4 |
| 25          | 24.92     | 24.96 | 30.94      | 22           | 19.1 | 30.2 | 55.6 | 54.0 | 38.1 |

Dimensions in millimeters

All data is subject to change without notice, contact our technical department to confirm data

| Pin Dia                                  | Grip Length (inches) |        |        |        |        |        |        |        |        |        |        |        |
|------------------------------------------|----------------------|--------|--------|--------|--------|--------|--------|--------|--------|--------|--------|--------|
|                                          | 0.5                  | 0.75   | 1      | 1.25   | 1.5    | 1.75   | 2      | 2.5    | 3      | 4      | 5      | 6      |
| <b>Heavy Duty Button Handle - Inch</b>   |                      |        |        |        |        |        |        |        |        |        |        |        |
| 3/16                                     | 806400               | 806401 | 806402 | 806403 | 806404 | 806405 | 806406 | 806408 | 806409 | 806411 | 806413 | 806415 |
| 1/4                                      | 806416               | 806417 | 806418 | 806419 | 806420 | 806421 | 806422 | 806424 | 806425 | 806427 | 806429 | 806431 |
| 5/16                                     | 806432               | 806433 | 806434 | 806435 | 806436 | 806437 | 806438 | 806440 | 806441 | 806443 | 806445 | 806447 |
| 3/8                                      | 806448               | 806449 | 806450 | 806451 | 806452 | 806453 | 806454 | 806456 | 806457 | 806459 | 806461 | 806463 |
| 7/16                                     | 806464               | 806465 | 806466 | 806467 | 806468 | 806469 | 806470 | 806472 | 806473 | 806475 | 806477 | 806479 |
| 1/2                                      | 806480               | 806481 | 806482 | 806483 | 806484 | 806485 | 806486 | 806488 | 806489 | 806491 | 806493 | 806495 |
| 9/16                                     | 806496               | 806497 | 806498 | 806499 | 806500 | 806501 | 806502 | 806504 | 806505 | 806507 | 806509 | 806511 |
| 5/8                                      | 806512               | 806513 | 806514 | 806515 | 806516 | 806517 | 806518 | 806520 | 806521 | 806523 | 806525 | 806527 |
| 3/4                                      | 806528               | 806529 | 806530 | 806531 | 806532 | 806533 | 806534 | 806536 | 806537 | 806539 | 806541 | 806543 |
| 7/8                                      | 806544               | 806545 | 806546 | 806547 | 806548 | 806549 | 806550 | 806552 | 806553 | 806555 | 806557 | 806559 |
| 1                                        | 806560               | 806561 | 806562 | 806563 | 806564 | 806565 | 806566 | 806568 | 806569 | 806571 | 806573 | 806575 |
| Pin Dia                                  | Grip Length (mm)     |        |        |        |        |        |        |        |        |        |        |        |
|                                          | 10                   | 15     | 20     | 25     | 30     | 40     | 50     | 60     | 70     | 80     | 90     | 100    |
| <b>Heavy Duty Button Handle - Metric</b> |                      |        |        |        |        |        |        |        |        |        |        |        |
| 5                                        | 855400               | 855401 | 855402 | 855403 | 855404 | 855405 | 855406 | 855407 | 855408 | 855409 | 855410 | 855411 |
| 6                                        | 855412               | 855413 | 855414 | 855415 | 855416 | 855417 | 855418 | 855419 | 855420 | 855421 | 855422 | 855423 |
| 8                                        | 855424               | 855425 | 855426 | 855427 | 855428 | 855429 | 855430 | 855431 | 855432 | 855433 | 855434 | 855435 |
| 10                                       | 855436               | 855437 | 855438 | 855439 | 855440 | 855441 | 855442 | 855443 | 855444 | 855445 | 855446 | 855447 |
| 12                                       | 855448               | 855449 | 855450 | 855451 | 855452 | 855453 | 855454 | 855455 | 855456 | 855457 | 855458 | 855459 |
| 16                                       | 855460               | 855461 | 855462 | 855463 | 855464 | 855465 | 855466 | 855467 | 855468 | 855469 | 855470 | 855471 |
| 20                                       | 855472               | 855473 | 855474 | 855475 | 855476 | 855477 | 855478 | 855479 | 855480 | 855481 | 855482 | 855483 |
| 25                                       | 855484               | 855485 | 855486 | 855487 | 855488 | 855489 | 855490 | 855491 | 855492 | 855493 | 855494 | 855495 |

Contact customer service for other sizes. Includes attachment ring.